

AMIS-30660 Minimum Communication Speed



ON Semiconductor®

<http://onsemi.com>

APPLICATION NOTE

Introduction

The AMIS-30660 is designed for high speed CAN transmission. This means that communication up to 1 Mbps is guaranteed. The minimum speed is defined by the TxD dominant time-out and the used symbol length in the protocol. The CAN protocol ensures, that no more than 5 identical consecutive bits occur in an error-free bit stream. However, in a situation when an error shall be flagged on the bus, up to 12 consecutive dominants (logical 0's) can be encountered. If the symbol length is 12 bits, the minimum speed is 48 kbps.

Measurement Setup

Figure 1 shows the measurement setup used to determine the minimum speed of operation:

- A high speed AMIS-30660 CAN transceiver is connected through a terminated CAN network to a second AMIS-30663 CAN transceiver.
- A generator is sending a square wave signal with 5 V amplitude and varying frequency in the TxD pin of the first CAN transceiver.
- With a four-channel oscilloscope TxD, CANH, CANL, and RxD of the second transceiver is monitored.

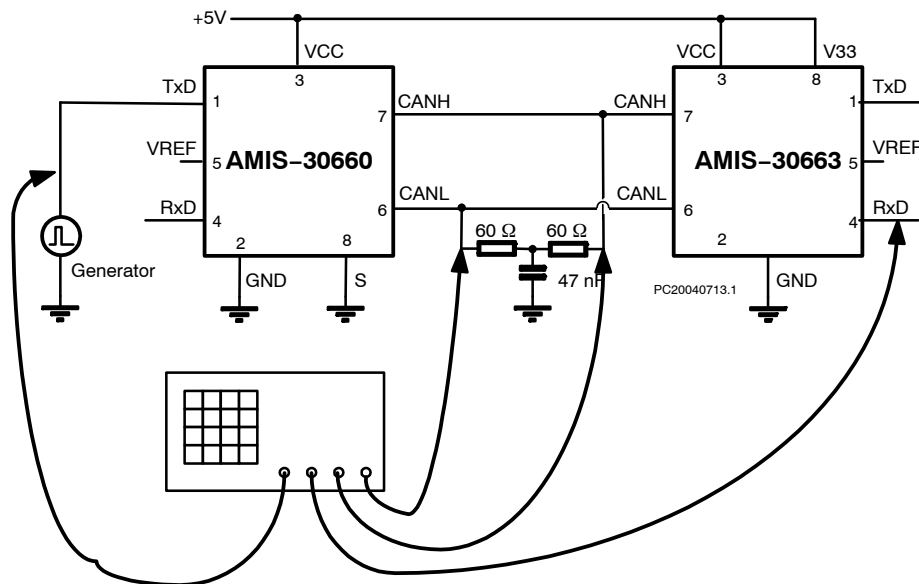


Figure 1. Measurement Setup

Observation

When the frequency of the square wave signal at the TxD pin is gradually decreased, the signal at the RxD of the second transceiver is also lowered in frequency. Below a certain frequency the duty cycle starts to be effected. The

transmission of the dominant level (CANH = high and CANL = low) is ceased after a time-out period. This time-out is the maximum low time at the RxD pin. As illustrated below the measured maximum (RxD) dominant time is 391 μ s.

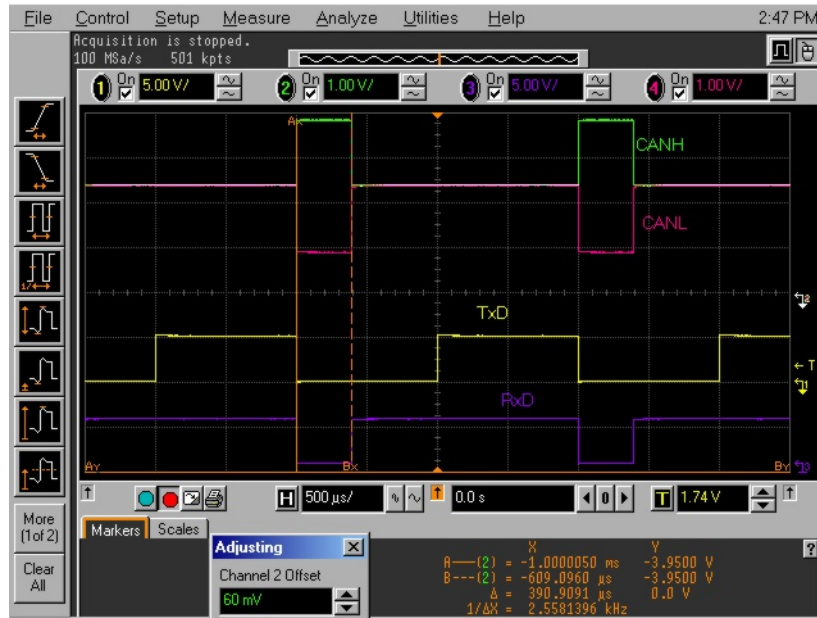


Figure 2. Measurement Result

Explanation

In Table 1, taken from the AMIS-30660 data sheet, there is a time-out for dominant TxD signaling. This prevents the

bus-lines being driven to a permanent dominant state blocking all network communication.

Table 1. TIMING CHARACTERISTICS; AMIS-30660 DATA SHEET, PAGE 9

Symbol	Parameter	Conditions	Min	Typ	Max	Unit
TIMING CHARACTERISTICS (see Figures 6 and 7)						
$t_{dom}(TXD)$	TXD dominant time for time out	$V_{TXD} = 0 V$	250	450	750	μs

The typical value indicated in the datasheet is 450 μs . To calculate the minimum transmission speed the minimum value (250 μs) needs to be taken. This yields in:

$$f_{TXD,min} = \frac{1}{t_{dom,min}} = \frac{1}{250 \mu s} = 4 \text{ kHz}$$

This means that the minimum theoretical bit-rate is 4 kbps provided that no more than 1 dominant (logical 0) is transmitted in a row.

The practically usable baud rate is defined as the theoretical minimum bit-rate multiplied by the maximum symbol length.

If the symbol length was 1 bit, which means that the maximum dominant state length is one bit-time, the minimum speed would be 4 kbps. If 12 consecutive zero's are allowed – as it's the case for the CAN protocol, or the symbol length is 12 bit, than the minimum speed is $4 \times 12 = 48$ kbps.

ON Semiconductor and **ON** are registered trademarks of Semiconductor Components Industries, LLC (SCILLC). SCILLC reserves the right to make changes without further notice to any products herein. SCILLC makes no warranty, representation or guarantee regarding the suitability of its products for any particular purpose, nor does SCILLC assume any liability arising out of the application or use of any product or circuit, and specifically disclaims any and all liability, including without limitation special, consequential or incidental damages. "Typical" parameters which may be provided in SCILLC data sheets and/or specifications can and do vary in different applications and actual performance may vary over time. All operating parameters, including "Typicals" must be validated for each customer application by customer's technical experts. SCILLC does not convey any license under its patent rights nor the rights of others. SCILLC products are not designed, intended, or authorized for use as components in systems intended for surgical implant into the body, or other applications intended to support or sustain life, or for any other application in which the failure of the SCILLC product could create a situation where personal injury or death may occur. Should Buyer purchase or use SCILLC products for any such unintended or unauthorized application, Buyer shall indemnify and hold SCILLC and its officers, employees, subsidiaries, affiliates, and distributors harmless against all claims, costs, damages, and expenses, and reasonable attorney fees arising out of, directly or indirectly, any claim of personal injury or death associated with such unintended or unauthorized use, even if such claim alleges that SCILLC was negligent regarding the design or manufacture of the part. SCILLC is an Equal Opportunity/Affirmative Action Employer. This literature is subject to all applicable copyright laws and is not for resale in any manner.

PUBLICATION ORDERING INFORMATION

LITERATURE FULFILLMENT:
 Literature Distribution Center for ON Semiconductor
 P.O. Box 5163, Denver, Colorado 80217 USA
Phone: 303-675-2175 or 800-344-3860 Toll Free USA/Canada
Fax: 303-675-2176 or 800-344-3867 Toll Free USA/Canada
Email: orderlit@onsemi.com

N. American Technical Support: 800-282-9855 Toll Free USA/Canada
Europe, Middle East and Africa Technical Support:
 Phone: 421 33 790 2910
Japan Customer Focus Center
 Phone: 81-3-5773-3850

ON Semiconductor Website: www.onsemi.com
Order Literature: <http://www.onsemi.com/orderlit>
 For additional information, please contact your local Sales Representative